

COUNTERTOP LAVATORY K-2184

ADA

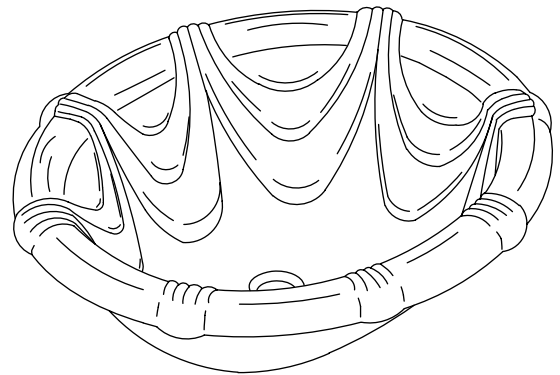
Features

- Vitreous china
- Self-rimming
- Sculptured basin
- ADA compliant
- 17-3/8" (44.1 cm) x 15" (38.1 cm)

Codes/Standards Applicable

Specified model meets or exceeds the following:

- ADA
- ASME A112.19.2
- CABO/ANSI A117.1
- IAPMO/UPC
- Listed in State of Massachusetts
- CSA International



Colors/Finishes

- 0: White
- Other: Refer to Price Book for additional colors/finishes

Accessories:

- CP: Polished Chrome

Specified Model

Model	Description	Colors/Finishes	
K-2184	Chenille countertop lavatory	<input type="checkbox"/> 0 White	<input type="checkbox"/> Other _____
Recommended Accessory			
K-8998	P-Trap		<input type="checkbox"/> CP

Product Specification

The self-rimming lavatory shall be 17-3/8" (44.1 cm) in length and 15" (38.1 cm) in width. Lavatory shall be made of vitreous china. Lavatory shall be ADA compliant. Lavatory shall feature a sculptured basin. Lavatory shall be Kohler Model K-2184-_____.

CHENILLE™

Technical Information

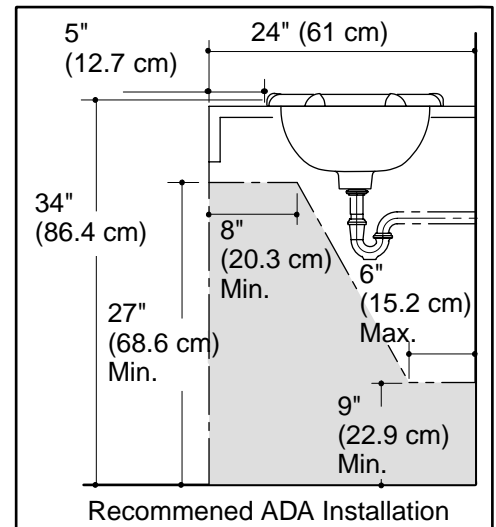
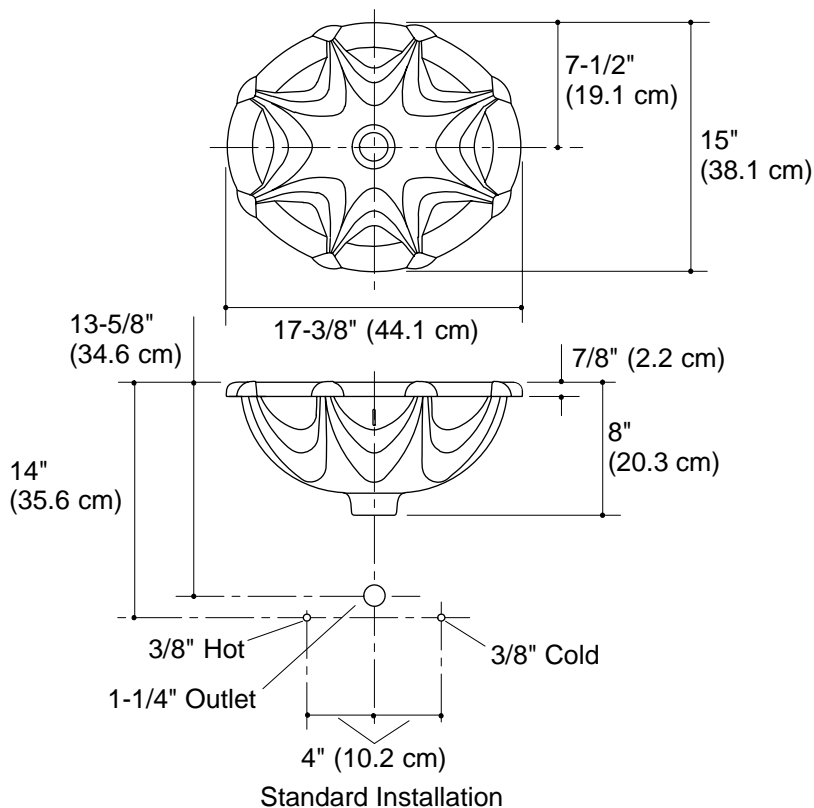
ADA compliant			
Mexico products have an M after the first sequence of numbers (such as K-12345 M)			
Fixture*:		basin area	water depth
Lavatory		14" (35.6 cm) x 12" (30.5 cm)	6-1/8" (15.6 cm)
Outlet	1-3/4" D. (4.4 cm)		
* Approximate measurements for comparison only.			
Included Components:			
Adjustable linkage		40372	
Cutout template		1002967-7	

Installation Notes

Install this product according to the installation guide.

4-5/8" (11.7 cm) minimum faucet spout length needed to reach over rim into basin.

NOTICE: Countertop manufacturer or cutter **must** use the cutout template provided with the product, or a current one provided by Kohler Co. (call 1-800-4-KOHLER). Kohler Co. is not responsible for cutout errors when the incorrect cutout template is used.



Product Diagram