

### Features

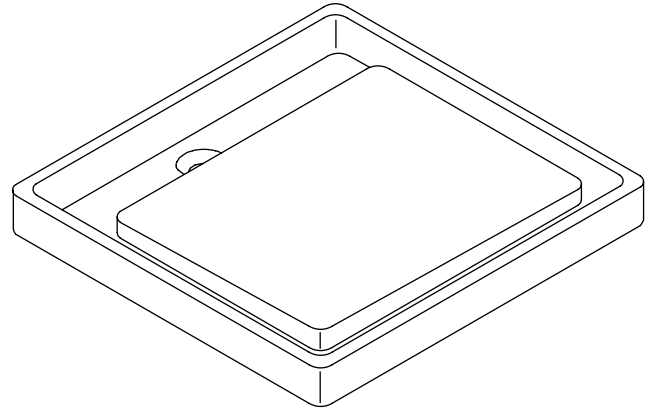
- Fireclay
- Without overflow
- Countertop or wall-mount installation
- Without faucet holes
- Complements the Purist Suite
- 24" (61 cm) x 23-1/2" (59.7 cm)

### WADING POOL® WET SURFACE LAVATORY K-2313

ADA

CSA B651

OBC



### Codes/Standards Applicable

Specified model meets or exceeds the following:

- ADA
- ICC/ANSI A117.1
- CSA B651
- OBC
- ASME A112.19.2/CSA B45.1

### Colors/Finishes

- 0: White
- Other: Refer to Price Book for additional colors/finishes

### Accessories

- CP: Polished Chrome
- NA: None applicable

### Specified Model

Model	Description	Colors/Finishes	
K-2313	Wading Pool wet surface lavatory - without faucet holes	<input type="checkbox"/> 0	<input type="checkbox"/> Other_____

Recommended Accessories			
K-9583	Bracket kit - includes right and left-facing brackets for wall-mount installation	<input type="checkbox"/> NA	
K-7605-P	Lavatory supplies	<input type="checkbox"/> CP	<input type="checkbox"/> Other_____
K-9018	P-Trap	<input type="checkbox"/> CP	<input type="checkbox"/> Other_____
K-7715	Grid drain	<input type="checkbox"/> CP	<input type="checkbox"/> Other_____
<b>Refer to the Price Book for countertop and hand basin options.</b>			

### Product Specification

The fireclay lavatory shall be 24" (61 cm) in length and 23-1/2" (59.7 cm) in width. Product shall be without overflow and without faucet holes. Product shall be suitable for countertop or wall-mount installation. Product shall complement the Purist Suite. Product shall be Kohler Model K-2313-\_\_\_\_\_.

# PURIST®

## Technical Information

Fixture*:	
Drain hole	1-3/4" (4.4 cm) D.
* Approximate measurements for comparison only.	
Included components:	
Cut-out template	1014137-7

## Installation Notes

Install this product according to the installation guide.

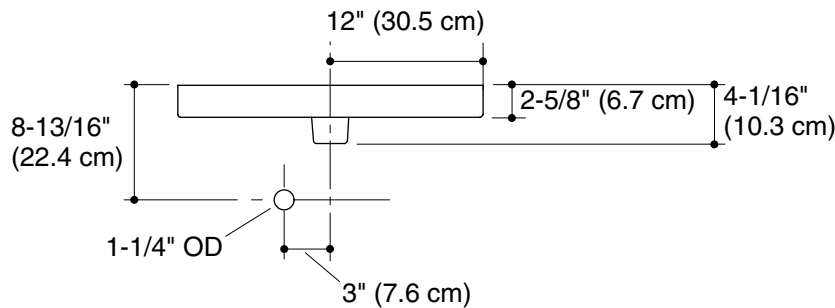
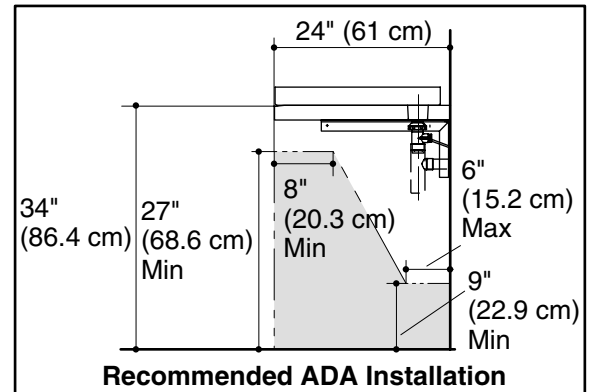
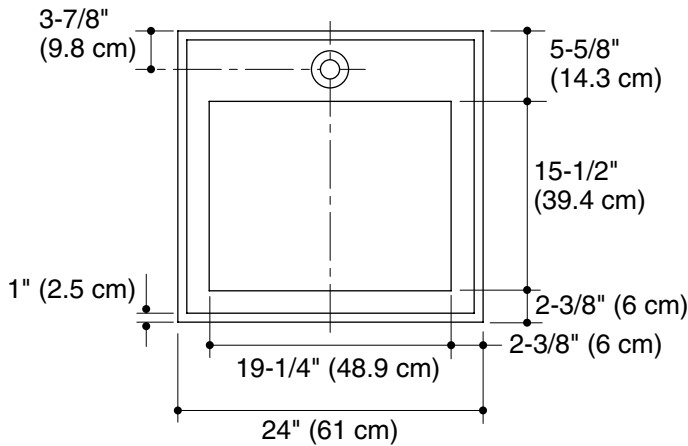
Product does not have an overflow.

**NOTICE:** Countertop manufacturer or cutter **must** use the cut-out template provided with the product, or a current one provided by Kohler Co. (call 1-800-4-KOHLER). Kohler Co. is not responsible for cutout errors when the incorrect cut-out template is used.

Will comply with **ADA** when installed per section 606 Lavatories of the Act.

Will comply with **CSA B651** when installed per Clause 4.3.3 of the standard.

Will comply with **OBC** when installed per Clause 3.8.3.11.



## Product Diagram