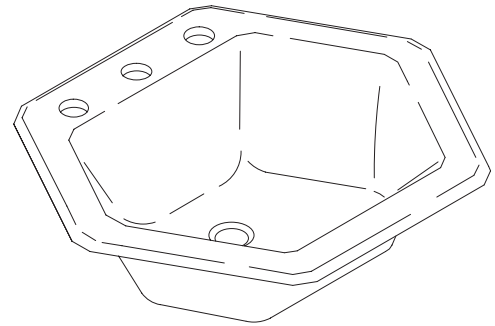


FEATURES

- 22-1/2" (57.2cm) x 19" (48.3cm)
- Cast iron
- Self-rimming
- With overflow
- ADA compliant



CODES/STANDARDS APPLICABLE

Specified model meets or exceeds the following:

- ADA
- ASME/ANSI A112.19.1M
- CABO/ANSI A117.1
- IAPMO/UPC
- Canadian Standards Association (CSA)
- State of Massachusetts

COLORS/FINISHES

- 0 White
- Other Refer to Fixtures Price Book for additional colors

Accessories:

- CP Polished Chrome
- Other Refer to Faucets Price Book for additional finishes

SPECIFIED MODEL:

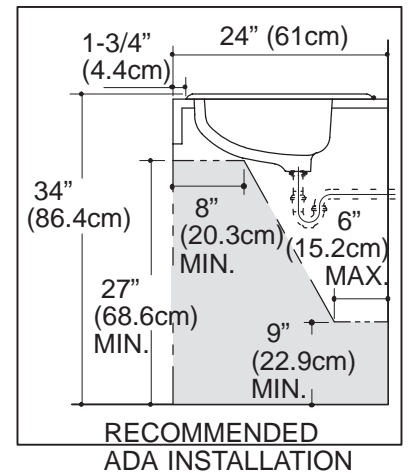
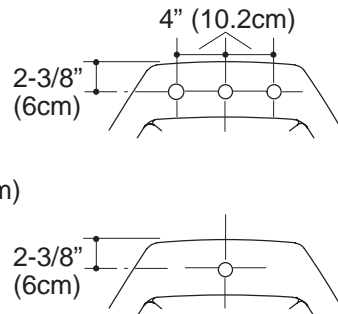
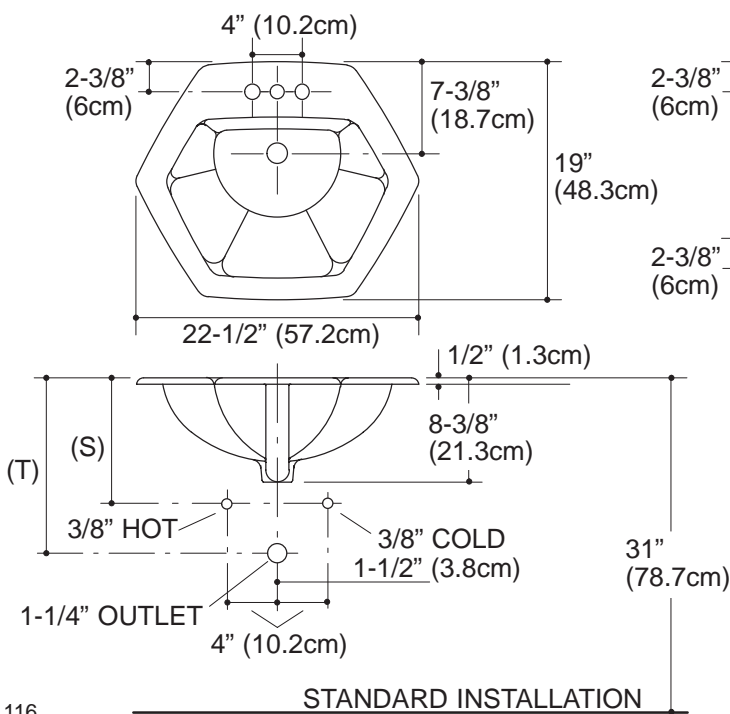
| Model | Description | Colors/Finishes | |
|----------------------|------------------------------|----------------------------------|--------------------------------------|
| K-2931-4 | 4" (10.2cm) centers lavatory | <input type="checkbox"/> 0 White | <input type="checkbox"/> Other _____ |
| K-2931-8 | 8" (20.3cm) centers lavatory | <input type="checkbox"/> 0 White | <input type="checkbox"/> Other _____ |
| K-2931-1 | Single-hole lavatory | <input type="checkbox"/> 0 White | <input type="checkbox"/> Other _____ |
| Optional Accessories | | | |
| K-8998 | Trap | <input type="checkbox"/> CP | <input type="checkbox"/> Other _____ |

PRODUCT SPECIFICATION:

The self-rimming lavatory shall be 22-1/2" (57.2cm) in length, and 19" (48.3cm) in width. Lavatory shall be made of cast iron. Lavatory shall have 4" (10.2cm) centers (K-2931-4), 8" (20.3cm) centers (K-2931-8), or single-hole (K-2931-1) drilling. Lavatory shall have overflow. Lavatory shall be ADA compliant. Lavatory shall be Kohler Model K-2931-_____-_____-_____.

PRODUCT INFORMATION

| | | | |
|---|------------------------|------------------------------|----------------------|
| ADA compliant. | | | |
| Fixture*: | | basin area | water depth |
| Lavatory | | 18" (45.7cm) x 13" (33cm) | 4-3/4" (12.1cm) |
| Drain hole | 1-11/16" D. (4.3cm) | | |
| * Approximate measurements for comparison only. | | | |
| Spout | 1-1/8" D. (2.9cm) | 1-1/8" D. (2.9cm) | 1-3/8" D. (3.5cm) |
| Faucet | 1-3/16" D. (3cm) | 1-3/8" D. (3.5cm) | |
| Included Components: | | | |
| Overflow ferrule | | | 84896 |
| Cutout template | | | 1002974-7 |



(T) Pop-up drain 14" (35.6cm), grid drain 13-1/8" (33.3cm).
 (S) 10" (25.4cm) (Based on 12" (30.5cm) riser which may require cutting).

PRODUCT DIAGRAM