

**Features**

- Brass construction
- Brass valve bodies
- Valvet<sup>®</sup> valves
- Loose key stops
- For 8" (203 mm) centers
- 9-3/4" (248 mm) plain end spout
- 14-1/4" (362 mm) wall-to-spout outlet
- Wristblade handles
- Pail hook
- Lower pipe and wall brace

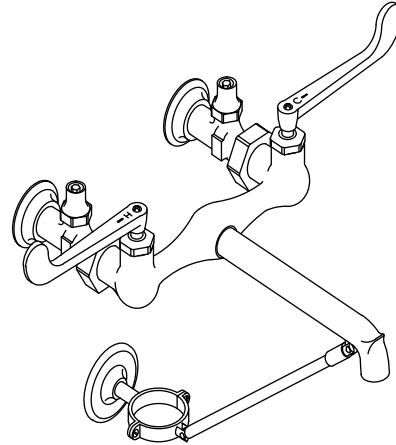
**Codes/Standards Applicable**

Specified model meets or exceeds the following:

- ADA
- CSA B651
- OBC
- ASME A112.18.1/CSA B125.1

**SERVICE SINK FAUCET  
K-7309-5A**

ADA    CSA B651    OBC



**Colors/Finishes**

- CP: Polished Chrome

**Specified Model**

Model	Description	Colors/Finishes
K-7309-5A	Service sink faucet	<input type="checkbox"/> CP

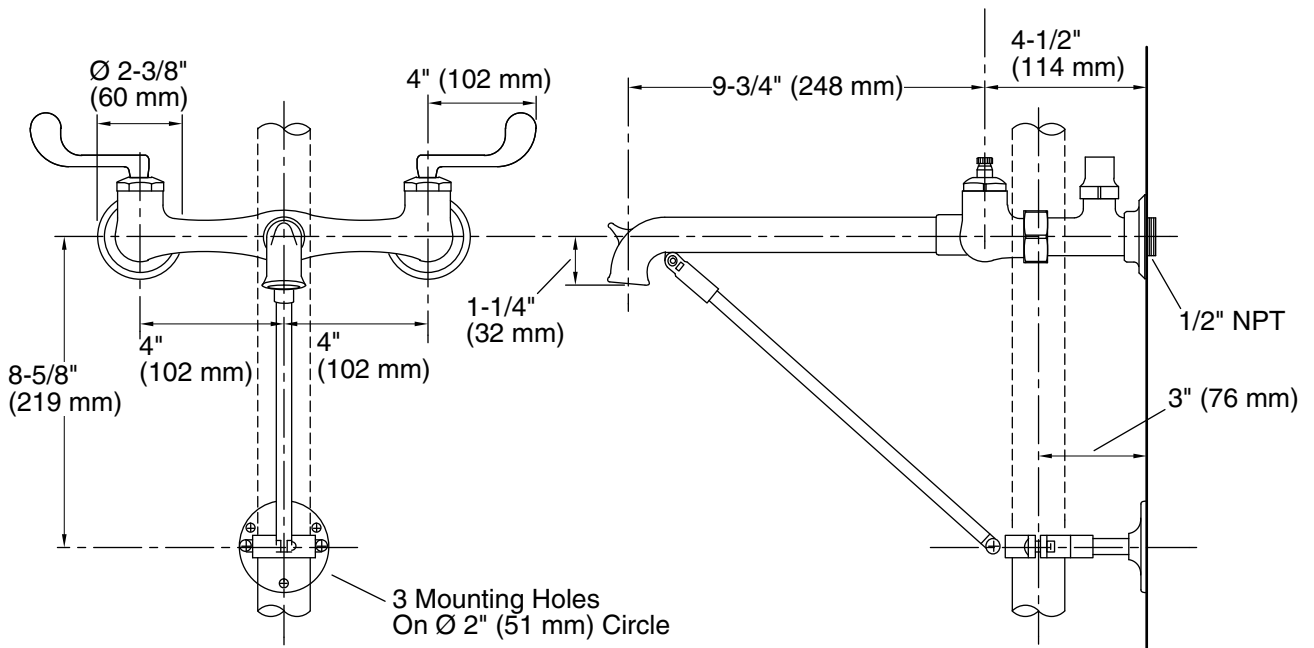
**Product Specification**

Two-handle service sink faucet shall be of brass construction. Faucet shall feature brass valve bodies. Faucet shall also feature Valvet valves. Product shall be for 8" (203 mm) centers. Product shall include 9-3/4" (248 mm) plain end spout, 14-1/4" (362 mm) wall-to-spout outlet, wristblade handles, pail hook, loose key stops, and lower pipe and wall brace. Faucet shall be Kohler Model K-7309-5A-CP.

## Installation Notes

Install this product according to the installation guide.

**ADA, CSA B651, OBC** compliant when installed to the specific requirements of these regulations.



## Product Diagram