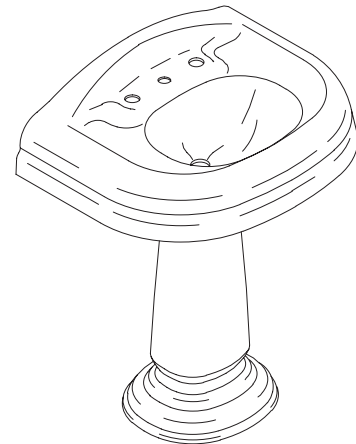


PEDESTAL LAVATORY

K-2800

FEATURES

- 28" (71.1cm) x 21" (53.3cm) x 31-3/8" (79.7cm)
- Cast iron
- Pedestal lavatory
- 8" (20.3cm) centers (K-2800-8), single-hole (K-2800-1) drilling
- With overflow



CODES/STANDARDS APPLICABLE

Specified model meets or exceeds the following:

- ASME/ANSI A112.19.1M
- IAPMO/UPC
- State of Massachusetts

COLORS/FINISHES

- 0 White
- Other Refer to Fixtures Price Book for additional colors

Accessories:

- CP Polished Chrome
- Other Refer to Faucets Price Book for additional finishes

SPECIFIED MODEL:

Model	Description	Colors/Finishes	
K-2800-8	8" (20.3cm) centers lavatory	<input type="checkbox"/> 0 White	<input type="checkbox"/> Other _____
K-2800-1	Single-hole lavatory	<input type="checkbox"/> 0 White	<input type="checkbox"/> Other _____

Recommended Accessories			
K-7605-P	Lavatory supplies 3/8" (pair)	<input type="checkbox"/> CP	<input type="checkbox"/> Other _____
K-8998	Trap	<input type="checkbox"/> CP	<input type="checkbox"/> Other _____

PRODUCT SPECIFICATION:

The pedestal lavatory shall be 28" (71.1cm) in length, 21" (53.3cm) in width, and 31-3/8" (79.7cm) in height. Pedestal lavatory shall be made of cast iron. Pedestal lavatory shall have 8" (20.3cm) centers (K-2800-8), or single-hole (K-2800-1) drilling. Pedestal lavatory shall have overflow. Lavatory shall be Kohler Model K-2800-_____-_____.

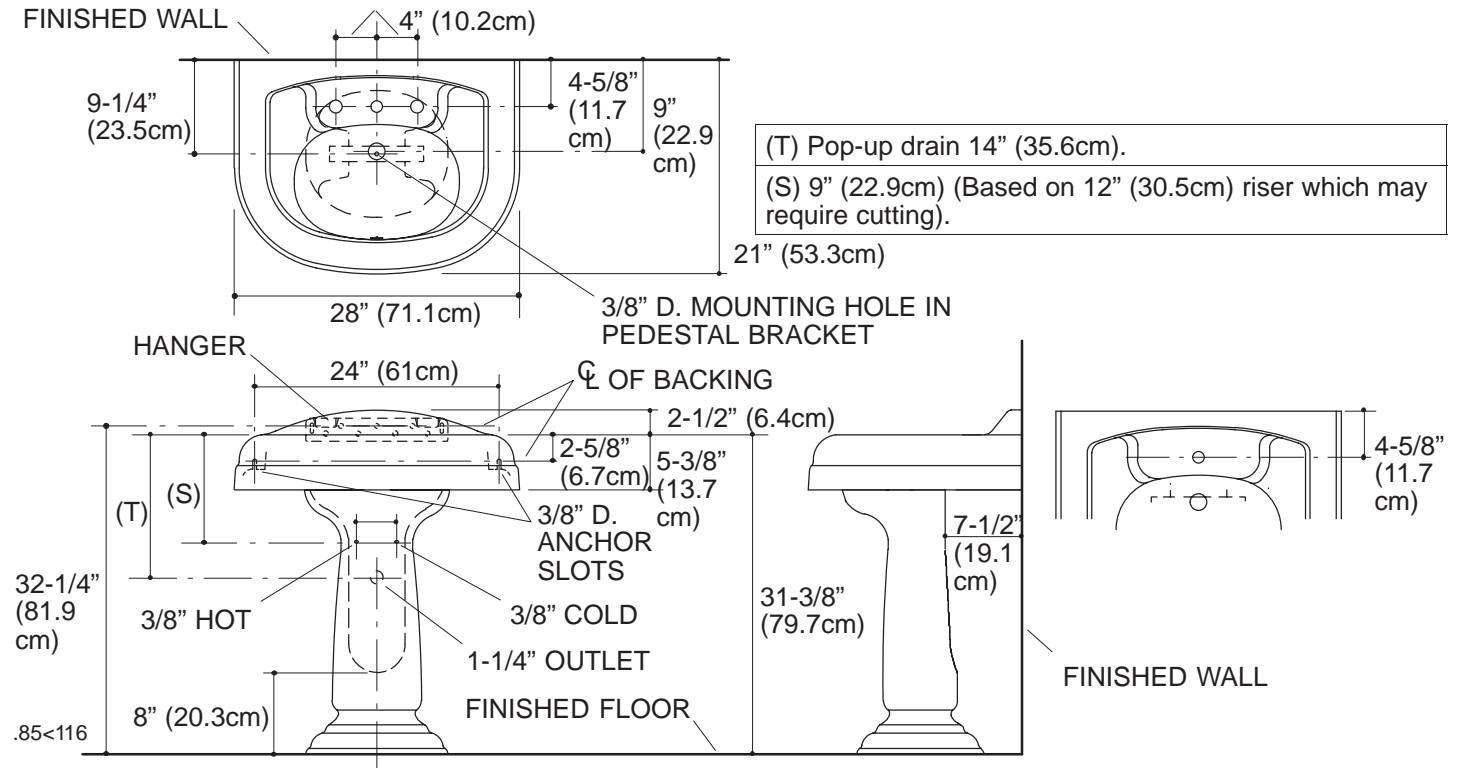
PRODUCT INFORMATION

Fixture*:		basin area	water depth
Lavatory		16" (40.6cm) x 11" (27.9cm)	4-1/2" (11.4cm)
Drain hole	1-3/4" (4.4cm) D.		

* Approximate measurements for comparison only.

Spout	1-1/8" (2.9cm) D.	1-3/8" (3.5cm) D.	
Faucet	1-3/8" (3.5cm) D.		

Included Components:	
Lavatory basin, 8" (20.3cm) centers	K-2801-8
Lavatory basin, single-hole	K-2801-1
Pedestal	K-2802
Pedestal accessory pack	52204
Hanger	64503
Bracket	82827



PRODUCT DIAGRAM