



Iron/Tones®

Drop-in/Under-mount Bathroom Sink

K-2826

Features

- Round-in-square basin.

Material

- KOHLER® enameled cast iron.

Installation

- No faucet holes; requires wall- or counter-mount faucet.
- Drop-in or undermount.

Recommended Products/Accessories

- K-9018 P-Trap
- K-23726 Drain treatment
- K-23725 Cast iron cleaner

Included Components

- Additional Components:
- 1193643 Basin clamps



ADA CSA B651

Codes/Standards







ASME A112.19.1/CSA B45.2
ADA
ICC/ANSI A117.1
CSA B651

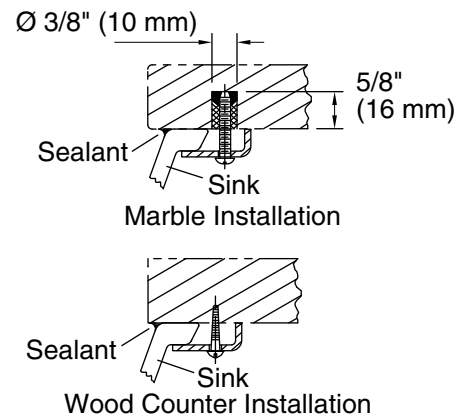
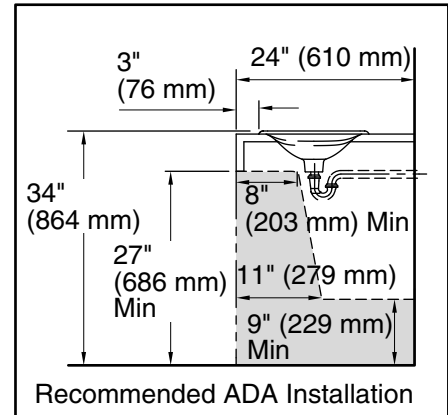
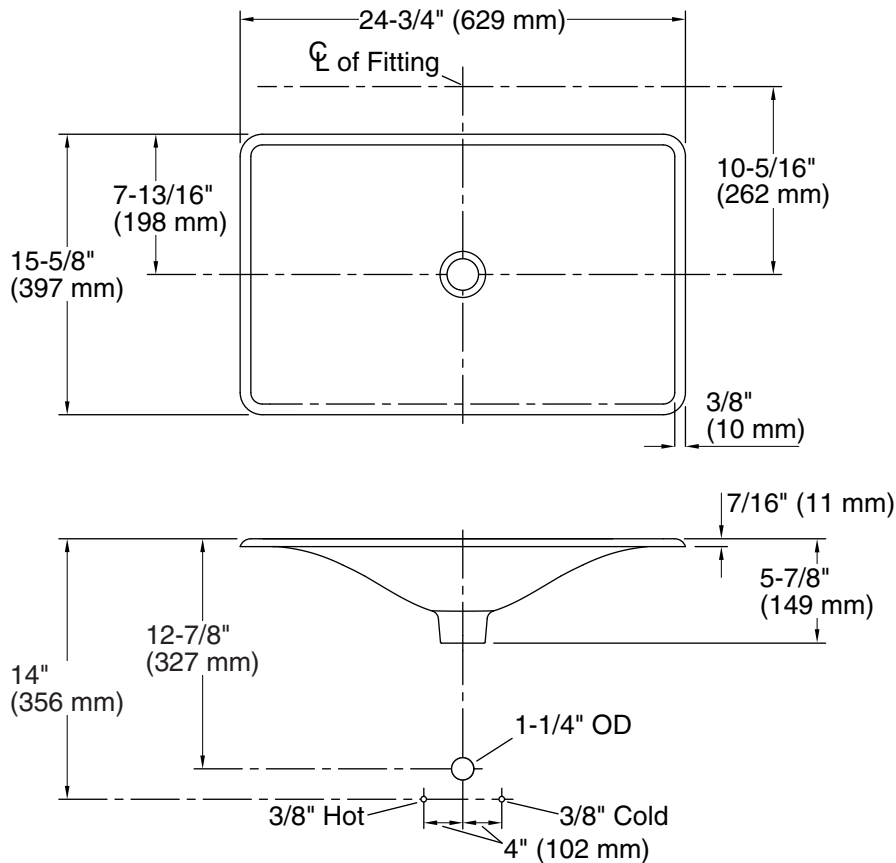
Lifetime Limited Warranty for KOHLER® Cast Iron Components

See website for detailed warranty information.

Available Colors/Finishes

Color tiles intended for reference only.

Color	Code	Description
	0	White
	FD	Cane Sugar™
	KC	Vapour™ Blue
	FT	Basalt
	RR	Ember™
	7	Black Black™



Technical Information

All product dimensions are nominal.

Bowl configuration:	Single
Installation:	Drop-in, Under-mount
Bowl area (Only):	Length: 23-3/4" (603 mm) Width: 14-1/2" (368 mm) Water depth: 3-7/8" (98 mm)
Drain hole:	1-3/4" (44 mm)
Template:	1053506-7, required, included

Notes

Install this product according to the installation instructions.

Supplied basin clamp assemblies require 1" (25 mm) minimum countertop thickness. Installer must supply anchors for thinner countertops.

NOTICE: The countertop manufacturer or cutter must use the cut-out template provided with the product, or a current one provided by the Kohler Co. (call 1-800-4-KOHLER.) Kohler Co. is not responsible for cut-out errors when the incorrect cut-out template is used.

ADA, CSA B651 compliant when installed to the specific requirements of these regulations.