

COUNTERTOP LAVATORY K-2950

ADA

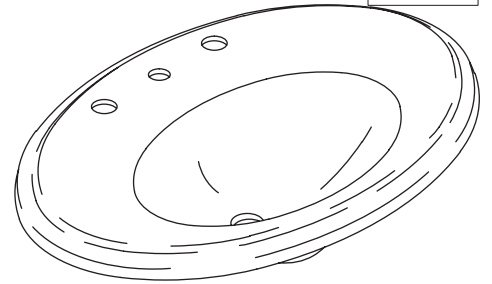
Features

- KOHLER cast iron
- Self-rimming
- 8" (20.3 cm) centers, 4" (10.2 cm) centers, or single-hole
- 28" (71.1 cm) x 19" (48.3 cm)

Codes/Standards Applicable

Specified model meets or exceeds the following:

- ADA
- ASME A112.19.1
- IAPMO/UPC
- ICC/ANSI A117.1
- CSA B45



Colors/Finishes

- 0: White
- Other: Refer to Price Book for additional colors/finishes

Accessories

- CP: Polished Chrome

Specified Model

Model	Description	Colors/Finishes	
K-2950-8	Countertop lavatory with 8" (20.3 cm) centers	<input type="checkbox"/> 0	<input type="checkbox"/> Other_____
K-2950-4	Countertop lavatory with 4" (10.2 cm) centers	<input type="checkbox"/> 0	<input type="checkbox"/> Other_____
K-2950-1	Countertop lavatory with single-hole	<input type="checkbox"/> 0	<input type="checkbox"/> Other_____
Recommended Accessories			
K-8998	P-Trap		<input type="checkbox"/> CP

Product Specification

The self-rimming countertop lavatory shall be made of cast iron. Lavatory shall have 8" (20.3 cm) centers, 4" (10.2 cm) centers, or single-hole. Lavatory shall have overflow. Lavatory shall be 28" (71.1 cm) in length, and 19" (48.3 cm) in width. Lavatory shall be Kohler Model K-2950-_____ -_____.

REVIVAL™

Technical Information

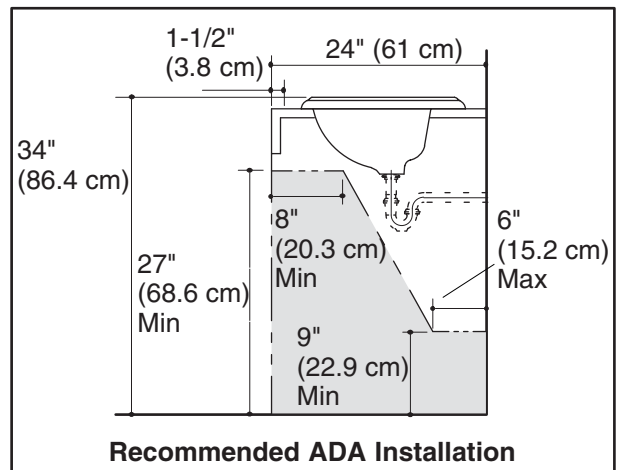
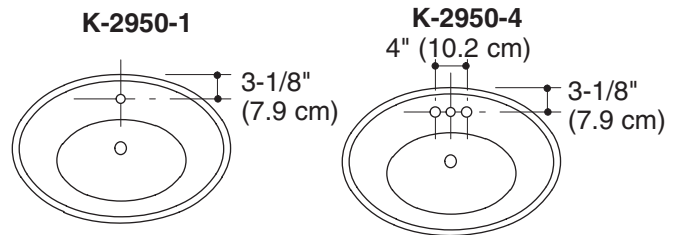
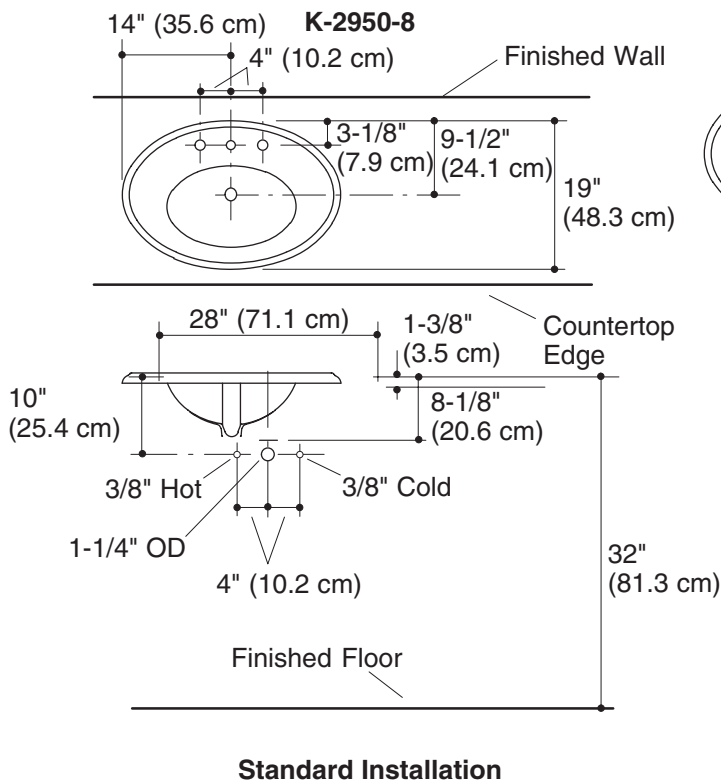
Fixture*:	
Basin area	17" (43.2 cm) x 11" (27.9 cm)
Water depth	4-1/4" (10.8 cm)
Drain hole	1-11/16" (4.3 cm) D.
* Approximate measurements for comparison only.	

Holes	K-2950-8	K-2950-1	K-2950-4
Spout	1-1/8" (2.9 cm) D.	1-3/8" (3.5 cm) D.	1-1/8" (2.9 cm) D.
Faucet	1-3/8" (3.5 cm) D.	NA	1-3/16" (3 cm) D.

Included components:	
Overflow ferrule (1)	84896
Cut-out template	1003100-7

Installation Notes

Install this product according to the installation guide.



Product Diagram