

COMFORT HEIGHT® TOILET K-3324

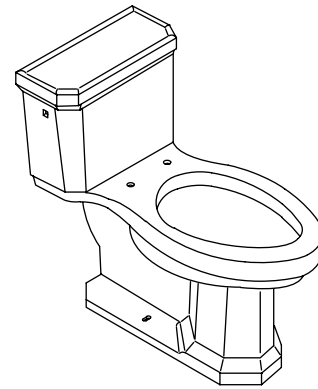
ADA

CSA B651

OBC

Features

- Vitreous china
- Elongated bowl
- Comfort Height®
- Concealed trapway
- Less trim and supply (does not include seat or trip lever)
- 12" (305 mm) rough-in
- 1.6 gpf (6 lpf)
- 2" (51 mm) glazed trapway
- 10-1/2" (267 mm) x 9" (229 mm) water area
- 27-3/4" (705 mm) x 17-1/2" (445 mm) x 28-1/4" (718 mm)



Codes/Standards Applicable

Specified model meets or exceeds the following:

- ADA
- ICC/ANSI A117.1
- CSA B651
- OBC
- ASME A112.19.2/CSA B45.1
- Energy Policy Act of 1992

Colors/Finishes

- 0: White
- Other: Refer to Price Book for additional colors/finishes

Accessories

- 0: White
- CP: Polished Chrome
- PB: Vibrant® Polished Brass
- Other: Refer to Price Book for additional colors/finishes

Specified Model

Model	Description	Colors/Finishes		
K-3324	Comfort Height toilet	<input type="checkbox"/> 0	<input type="checkbox"/> Other_____	
Recommended Accessories				
K-7637	Angle supply with stop – 3/8" NPT	<input type="checkbox"/> CP	<input type="checkbox"/> PB	<input type="checkbox"/> Other_____
Optional Accessories				
K-4650	Lustra™ elongated open-front toilet seat - for Accessibility compliance	<input type="checkbox"/> 0		<input type="checkbox"/> Other_____
K-9451	Kathryn® trip lever		<input type="checkbox"/> CP	<input type="checkbox"/> Other_____

Product Specification

The elongated bowl toilet shall be made of vitreous china. Toilet shall be 27-3/4" (705 mm) in length, 17-1/2" (445 mm) in width, and 28-1/4" (718 mm) in height with a 10-1/2" (267 mm) x 9" (229 mm) water area. Toilet shall be Comfort Height. Toilet shall be 12" (305 mm) rough-in, and 1.6 gpf (6 lpf). Toilet shall have concealed trapway. Toilet shall be less trim and supply (does not include seat or trip lever). Toilet shall be Kohler Model K-3324-_____.

Technical Information

Fixture:	
Configuration	one-piece, elongated
Water per flush	1.6 gal (6 L)
Passageway	2" (51 mm)
Water area	10-1/2" (267 mm) x 9" (229 mm)
Water depth from rim	6" (152 mm)
Seat post hole centers	5-1/2" (140 mm)

Included components:	
Tank cover	1006066
Tank accessory pack	52265
Bolt cap accessory pack	1013092

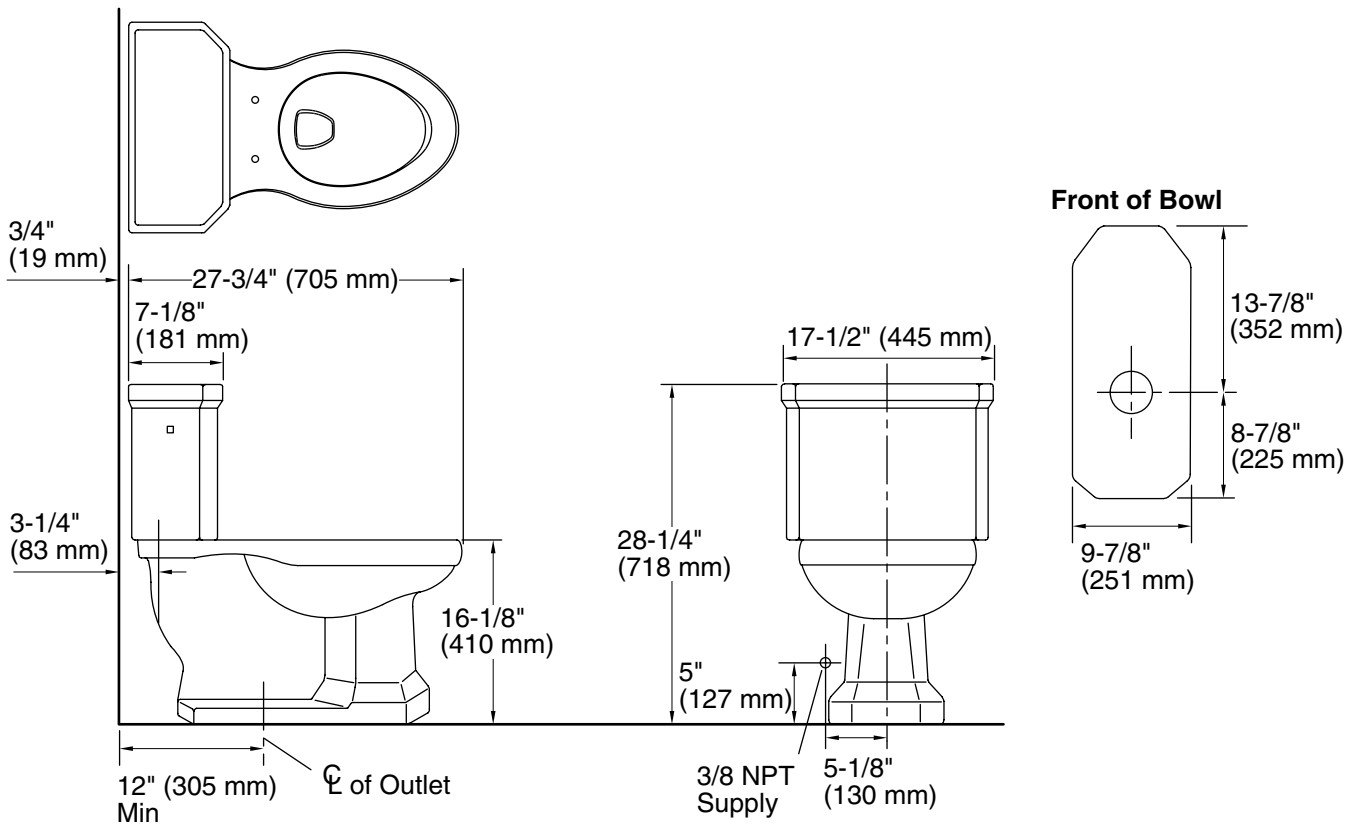
Installation Notes

Install this product according to the installation guide.

Will comply with the American Disabilities Act (**ADA**) when installed per the requirements of the Accessibility Guidelines, Section 604 Water Closets, of the Act, which include the installation of an open front seat.

Will comply with **CSA B651** when installed per Clause 4.3.6 of the standard.

Will comply with **OBC** Barrier Free requirements when installed per Clause 3.8.3.8 and 3.8.3.9.



Product Diagram