

UNDERCOUNTER SINK K-3337

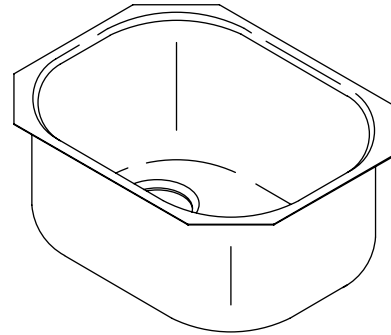
Features

- 18-gauge stainless steel
- Undercounter
- Single compartment
- Rounded bowl(s)
- Includes installation hardware
- 13-3/4" (34.9 cm) x 17-7/8" (45.4 cm)

Codes/Standards Applicable

Specified model meets or exceeds the following:

- ASME A112.19.3/CSA B45.4



Colors/Finishes

- NA: None applicable

Accessories

- 0: White
- CP: Polished Chrome
- NA: None applicable
- Other: Refer to Price Book for additional colors/finishes

Specified Model

Model	Description	Colors/Finishes
K-3337	Undercounter sink	<input type="checkbox"/> NA

Optional Accessories				
K-3278	Hardwood cutting board		<input type="checkbox"/> NA	
K-3280	Wire basket	<input type="checkbox"/> 0		<input type="checkbox"/> Other_____
K-3291	Colander	<input type="checkbox"/> 0		<input type="checkbox"/> Other_____
K-8801	Duostrainer® sink strainer		<input type="checkbox"/> CP	<input type="checkbox"/> Other_____

Product Specification

The undercounter sink shall be 13-3/4" (34.9 cm) in length and 17-7/8" (45.4 cm) in width. Sink shall be made of 18 gauge stainless steel. Sink shall be single compartment with rounded bowl. Sink shall include installation hardware. Sink shall be Kohler Model K-3337-NA.

UNDERTONE®

Technical Information

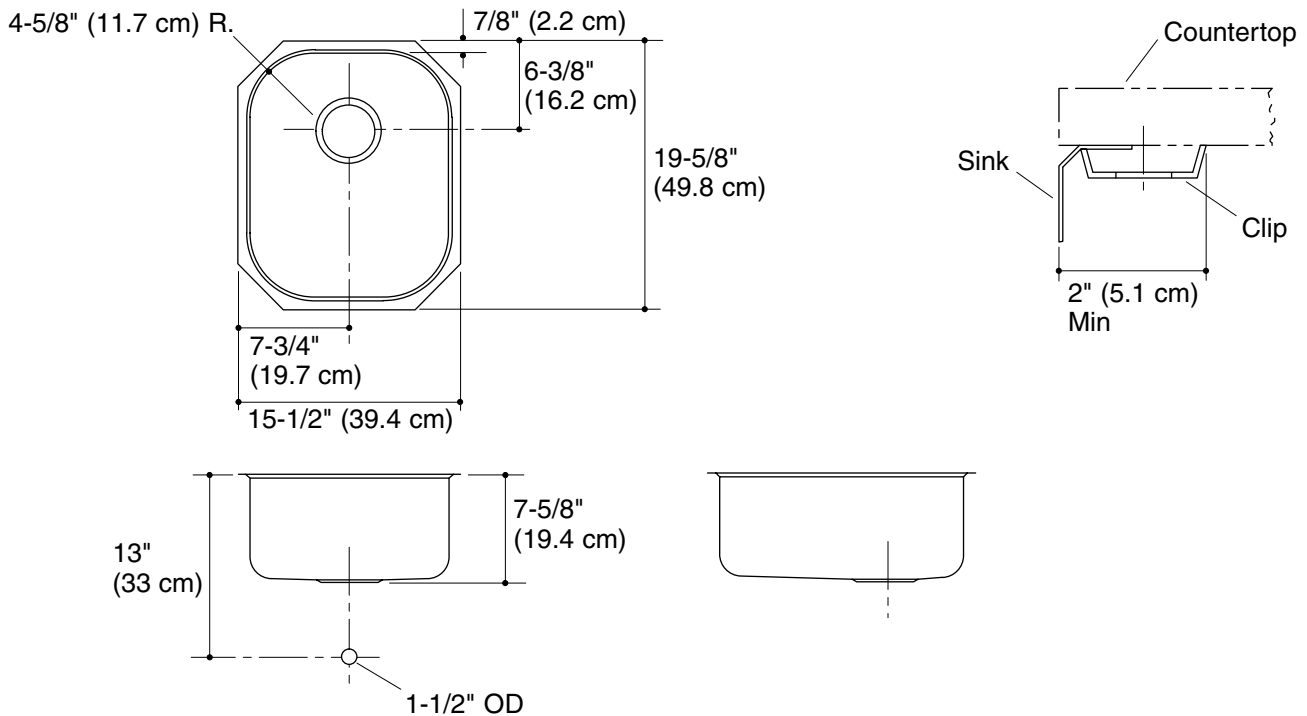
Fixture*:	
Basin area	13-3/4" (34.9 cm) x 17-7/8" (45.4 cm)
Water depth	7-1/2" (19 cm)
Drain hole	3-5/8" (9.2 cm) D.
*Approximate measurements for comparison only.	

Included components:	
Hardware kit	91915
Cut-out template	113198-7

Installation Notes

Install this product according to the installation guide.

Allow a minimum of 2" (5.1 cm) clearance around the sink rim for clip attachment.



Product Diagram