

Features

- Metal construction
- Two quarter-turn washerless ceramic disc valves
- 9" (229 mm) swing spout reach
- For 8" (203 mm) centers
- 360° swing spout with 12-9/16" (319 mm) reach from the wall surface to outlet
- 1.8 gallons (6.8 L) per minute maximum flow rate at 60 psi (4.1 bar)
- Meets CalGreen requirements for kitchen faucets

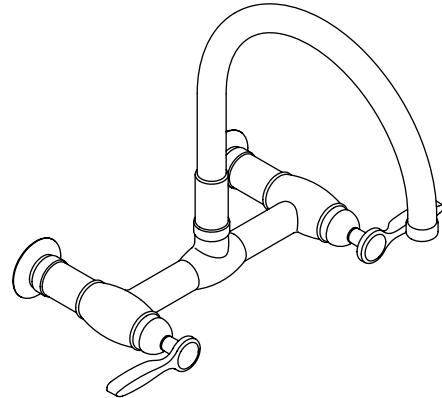
**WALL-MOUNT KITCHEN BRIDGE
FAUCET
K-6132**

ADA

Codes/Standards Applicable

Specified model meets or exceeds the following at date of manufacture:

- ADA
- ASME A112.18.1/CSA B125.1
- ICC/ANSI A117.1
- Energy Policy Act of 1992
- NSF 61
- All applicable US Federal and State material regulations



Colors/Finishes

- CP: Polished Chrome
- Other: Refer to Price Book for additional colors/finishes

Specified Model

Model	Description	Colors/Finishes	
K-6132-3	Wall-mount kitchen bridge faucet – tri handles	<input type="checkbox"/> CP	<input type="checkbox"/> Other _____
K-6132-4	Wall-mount kitchen bridge faucet – lever handles (shown)	<input type="checkbox"/> CP	<input type="checkbox"/> Other _____
Optional Accessories			
1089003	Low flow kit – reduces maximum flow to 1.5 gpm (5.7 L) at 60 psi (4.1 bar)	<input type="checkbox"/> NA	
1088956	High flow kit – increases maximum flow to 2.2 gpm (8.3 L) at 60 psi (4.1 bar)	<input type="checkbox"/> NA	

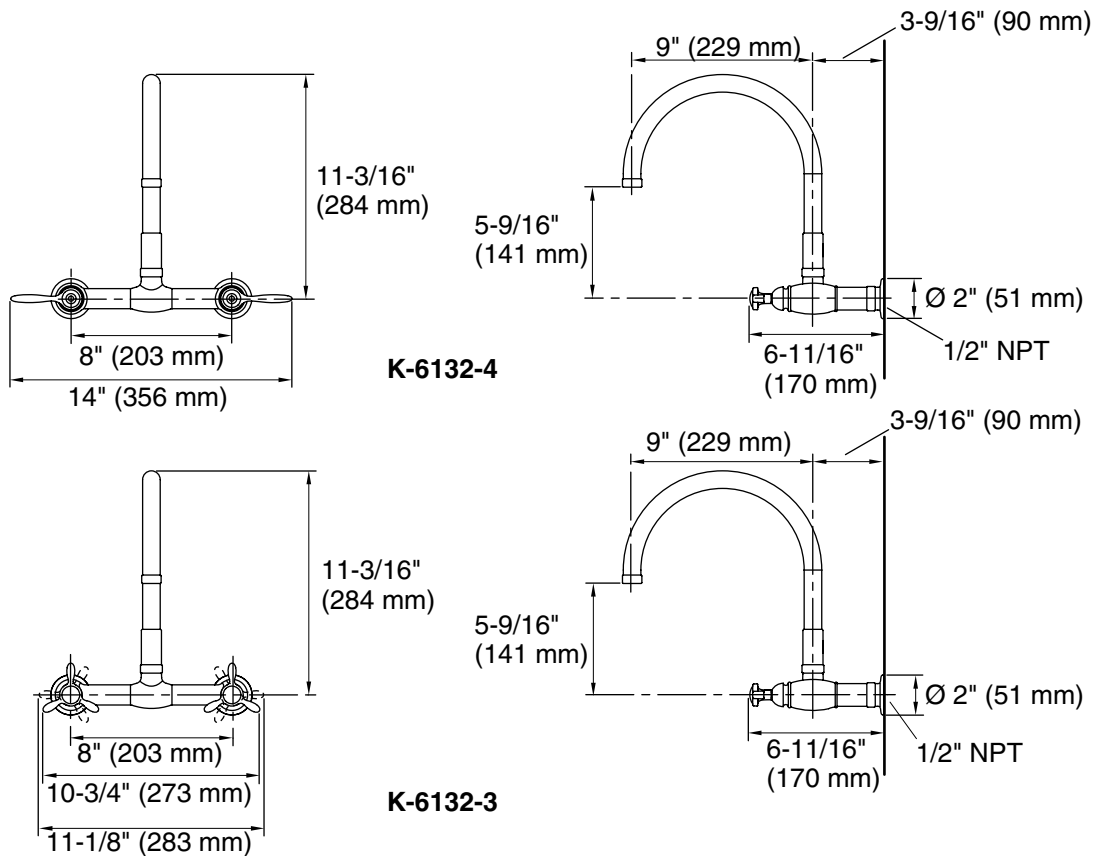
Product Specification

The wall-mount kitchen bridge faucet shall be constructed of metal. Product shall feature a 1.8 gallons (6.8 L) per minute maximum flow rate at 60 psi (4.1 bar). Product shall meet CalGreen requirements for kitchen faucets. Product shall feature two quarter-turn washerless ceramic disc valves, 9" (229 mm) swing spout reach, and a 360° swing spout with 12-9/16" (319 mm) reach from the wall surface to outlet. Product shall be for 8" (203 mm) centers. Faucet shall be Kohler Model K-6132-____-____.

Installation Notes

Install this product according to the installation guide.

ADA compliant when installed to the specific requirements of the regulation.



Product Diagram